

## HYUNDAI ELEVATOR CO., LTD.

### Head Office and Factories

2091, Gyeongchungdero, Bubal-eup, Icheon-si, Gyeonggi-do, 17366, Korea

### GLOBAL SALES & SERVICE NETWORK

#### AFRICA

**GHANA**  
T. 233-302-766-888  
E. tawayda@altraelectricals.com

**TANZANIA**  
T. 255-754-281-580  
E. Jagacojerry2013@gmail.com

**ALGERIA**  
T. 213-661-52-89-43  
E. howsolpanalgerie@gmail.com

**EGYPT**  
T. 20-1-066628331  
E. overseas@iet-hyundaelevator.com

**ETHIOPIA**  
T. 251-911-503-000  
E. ieethiopia1@gmail.com

**KENYA**  
T. 254-722-667984  
E. pslyall@skymaxenterprise.com

**NIGERIA**  
T. 234-803-7352222  
E. nicolas@orionelevators.com

**REPUBLIC OF SOUTH AFRICA**  
T. 27-87-150-3550  
E. info@munaca.co.za

**SUDAN**  
T. 249-183-488741  
E. amiralmahie69@gmail.com

**TUNISIA**  
T. 216-71-886-980  
E. idealcommercial@gmail.com

#### ASIA

**BANGLADESH**  
T. 88-017-13209212  
E. zahid@edgeworxsb.com

**CAMBODIA**  
T. 855-23-888-399  
E. project@ggear.com.kh

**CHINA**  
[Head Office(Factory)]  
T. 86-21-6485-8600  
E. yh.yuk@hdel.co.kr

**HONG KONG**  
T. 86-755-2585-5903  
E. hyundaisz@naver.com

**INDIA**  
T. 91-20-3250-2190  
E. mmotwani@kcl.kineticindia.com

#### INDONESIA

T. 62-21-631-8444  
E. marketing@superhelindo.co.id

**JAPAN**  
T. 81-3-3436-5117  
E. yoshimi-saitoh@daiko-s.co.jp

**MALAYSIA**  
T. 603-6733-2999  
E. brian.lee@hem.com.my

**MONGOLIA**  
T. 976-11-7015-3333  
E. khishigbaatar@hyundai-elevator.mn

**MYANMAR**  
T. 951-2305336-37  
E. info@integral-ltd.com

**PAKISTAN**  
T. 92-21-34320601-5  
E. iitcpk@gmail.com

**PHILIPPINES**  
T. 632-716-0905  
E. hycop@pltdsl.net

**SRILANKA**  
T. 94-11-2629208  
E. rienzie@abansgroup.com

**THAILAND**  
T. 660-2348-8787  
E. narongth@loxley.co.th

**VIETNAM**  
T. 84-913-927-601  
E. sb.park@hdel.co.kr

#### EUROPE & CIS

**ARMENIA**  
T. 971-4-440-49-27  
E. natalya@fd-jcb.am

**AZERBAIJAN**  
T. 994-12-555-1744-46  
E. office@astexnika.com

**KAZAKHSTAN**  
[Astana]  
T. 7-717-253-8072  
E. dmritriy@hdel.kz

[Almaty]  
T. 7-727-293-8567  
E. natalia.ibragimova@technolift.kz

**KYRGYZSTAN**  
T. 996-312-474205  
E. a918882@hotmail.com

### Seoul Office

5F, East Bldg., Hyundai Group Bldg., 194, Youlgok-ro, jongno-gu, Seoul, 03127, Korea  
Tel. 82\_2\_3670\_0668 Fax. 82\_2\_3672\_8763~4

#### MAKEDONIA

T. 90-216-488-8000  
E. hakan.ek@hmf.com.tr

**POLAND**  
T. 48-61-820-8551  
E. maciej.dziurkiewicz@omilifts.com

**TURKEY**  
T. 90-216-488-8000  
E. kbyum@hdel.co.kr

**RUSSIA**  
(Moscow)  
T. 7-495-668-07-15  
E. msk@dvc.ru  
(Vladi)  
T. 7-423-220-51-16  
E. hyundai@dvc.ru

#### MIDDLE EAST

**BAHRAIN**  
T. 973-17-702-468  
E. elevators@nassgroup.com

**IRAN**  
T. 98-21-8869-8727-35  
E. jafari\_hyundai2015@yahoo.com

**IRAQ**  
T. 964-790-133-6499  
E. arjoon\_co@yahoo.com

**ISRAEL**  
T. 972-3-9630076  
E. elib@ledico.com

**JORDAN**  
T. 962-79-5526-713  
E. maadbseiso55@gmail.com

**KUWAIT**  
T. 965-2245-7925  
E. info@dealgic.com

**OMAN**  
T. 968-9286-4334  
E. techno.hyundai@gmail.com

**QATAR**  
T. 974-4436-6689  
E. info@ietg-hyundaelevator.com

**SAUDI ARABIA**  
T. 966-530-970-318  
E. waqqas@nsc-ksa.com

**SYRIA**  
T. 963-933-234134  
E. terzian@scs-net.org

#### UAE

T. 971-4-294-4475  
E. dubai@bhnoe-hyundai.com

**YEMEN**  
T. 967-1-450556  
E. hyundai.yemen@gmail.com

#### NORTH/SOUTH AMERICA

**ARGENTINA**  
T. 5411-3220-2878  
E. ogueta@skylift.com.ar

**BRAZIL**  
[Head Office(Factory)]  
T. 55-51-3037-8600  
E. tg.shin@hdel.co.kr

[Sao paulo(Sales office)]  
T. 55-11-5102-3380  
E. david.an@hdel.com.br

**CHILE**  
T. 56-2-2635-3394  
E. lcid@cyce.cl

**COLOMBIA**  
T. 57-1-560-2990  
E. agutierrez@solucionesverticales.com

**COSTA RICA**  
T. 506-7013-4407  
E. c.elevatec@grupomisol.com

**CUBA**  
T. 537-699-3412  
E. habanajdkim@gmail.com

**DOMINICAN REPUBLIC**  
T. 809-566-7474  
E. cesar@eleva.com.do

**ECUADOR**  
T. 593-2254-2831  
E. hyundai@a-i.com.ec

**GUATEMALA**  
T. 502-2388-0000  
E. cd.elevatec@grupomisol.com

**MEXICO**  
T. 52-55-5663-2019  
E. yurich@insertechmx.com

**PANAMA**  
T. 507-230-3166  
E. asucre@elevadoresdelistmo.com

**VENEZUELA**  
T. 58-212-232-8263  
E. ojssimon@gmail.com



# ESCALATORS & MOVING WALKS

  
**HYUNDAI**  
ELEVATOR CO., LTD.

ESCALATORS & MOVING WALKS - We reserve the right to change designs and specifications for the product development without prior notice.

Copyright © HYUNDAI ELEVATOR CO., LTD. All rights reserved. Printed in Korea.

C-EMW-E1713 / 2017.08 / Rev.17

Contents

03

— WHY HYUNDAI ELEVATOR?

04

— PRODUCT LINE-UP  
ESCALATORS / MOVING WALKS

07

— LAYOUTS

08

— STRUCTURE

09

— OPTIONAL FEATURES

10

— SAFETY DEVICES

12

— BALUSTRADE DESIGNS

13

— SPECIFICATIONS

## WHY HYUNDAI ELEVATOR?

The plans, designs, and space efficiency of its escalators and moving walks deliver greater satisfaction.

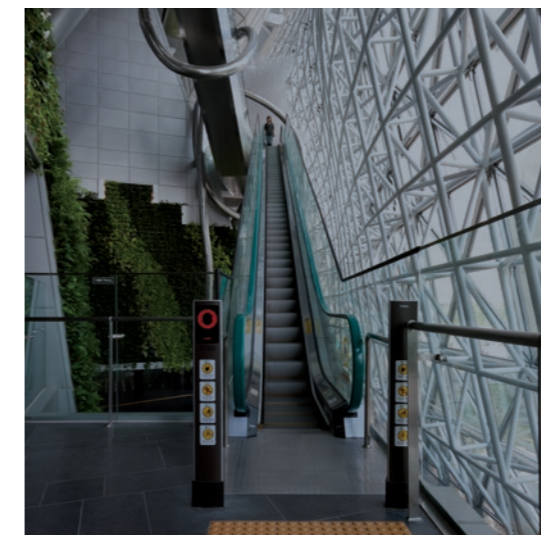
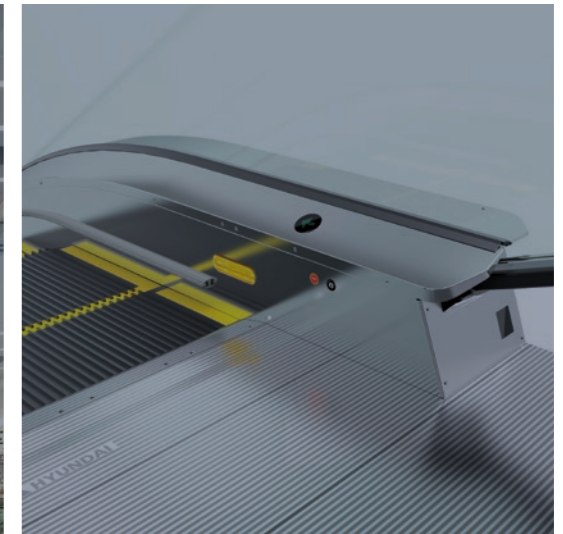
ESCALATOR TECHNOLOGY 1

### Sophisticated Design



ESCALATOR TECHNOLOGY 2

### Multiple Functions



ESCALATOR TECHNOLOGY 3

### Reliability & Safety



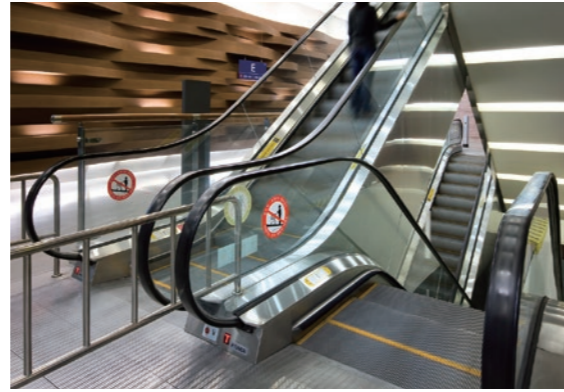
MOVING WALK TECHNOLOGY

### Abundant Experience

## PRODUCT LINE-UP

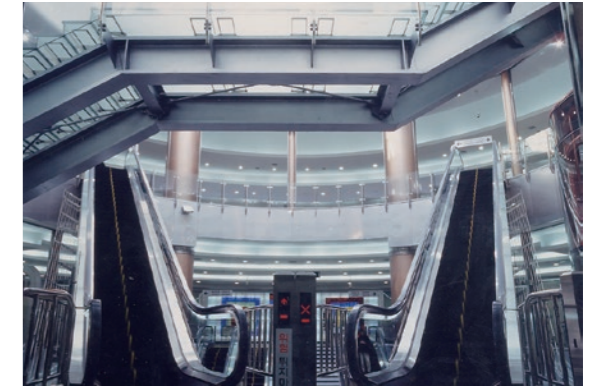
# S SERIES ESCALATORS

The S Series Escalator is a conventional system with a single drive station installed at the top of the truss, allowing for a smooth and compact design that maximizes space efficiency. Appropriate for use in hotels, shopping centers, banks, office buildings, etc.



# H SERIES ESCALATORS

H Series Escalators are designed for installation in subway stations, multi-sports complexes, and mammoth conference halls or airports. It has also been used to move people outside while protecting them from snowfall rain and wind. The H Series Escalators meet standards set by the European Norm (EN).



## PRODUCT LINE-UP

# MOVING WALKS

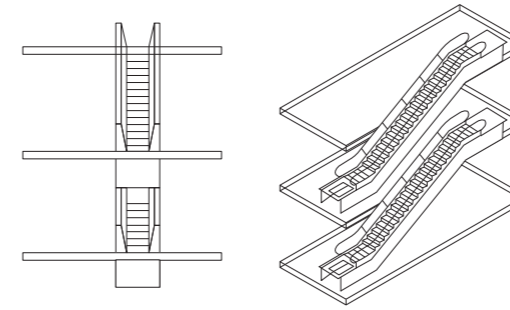
Hyundai moving walks are available in horizontal, inclined design within 12 degree or in combined design and are widely applicable to various buildings and facilities such as supermarkets, subways and railroad stations, sports stadiums, department stores, and so on. They offer a new dimension of convenience, satisfaction and excitement for the customers and passengers.



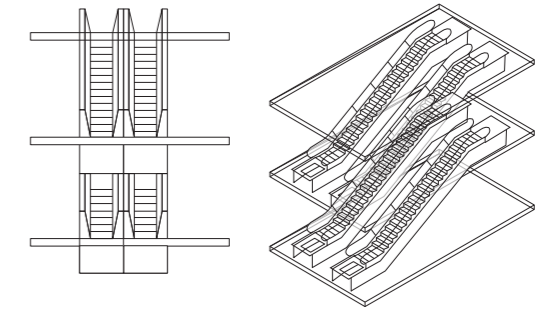
## LAYOUTS

Diverse layouts meet a wide range of construction, functional, and efficiency needs.

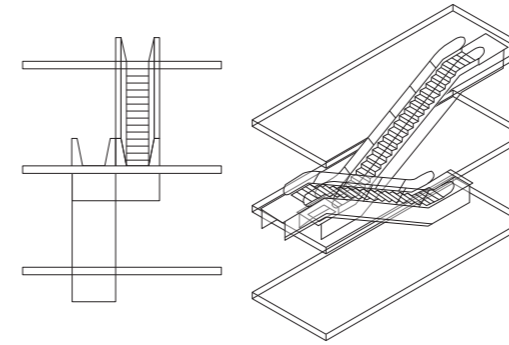
### SINGLE



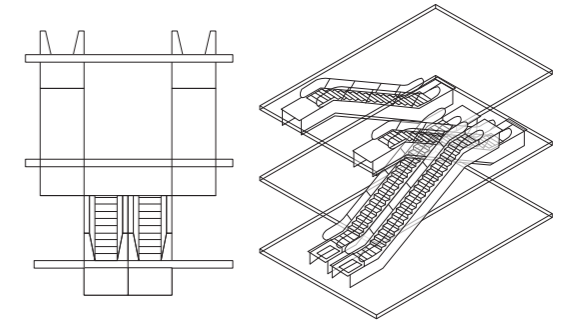
### PARALLEL



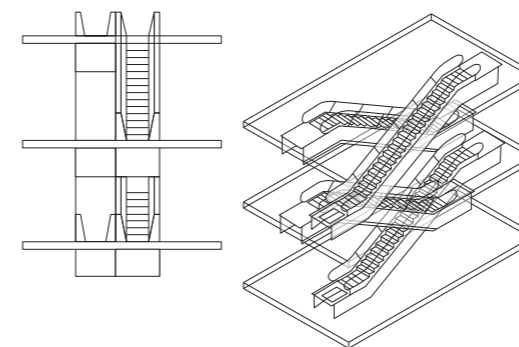
### SCISSORS



### DOUBLE SCISSORS



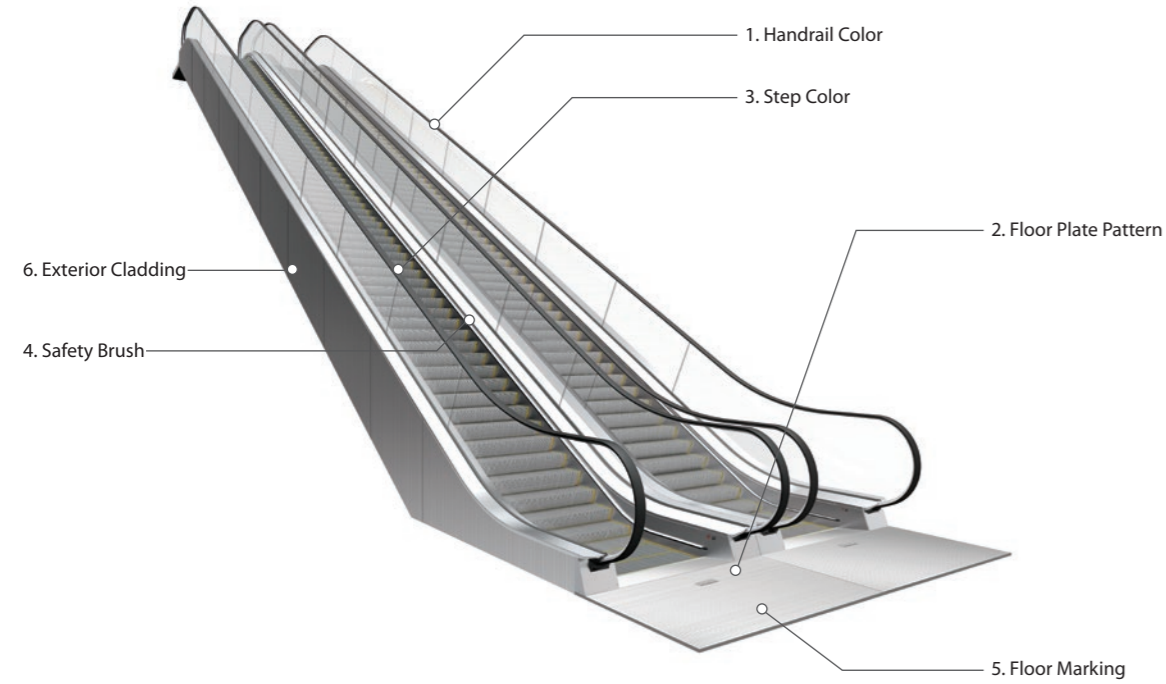
### CRISSCROSS



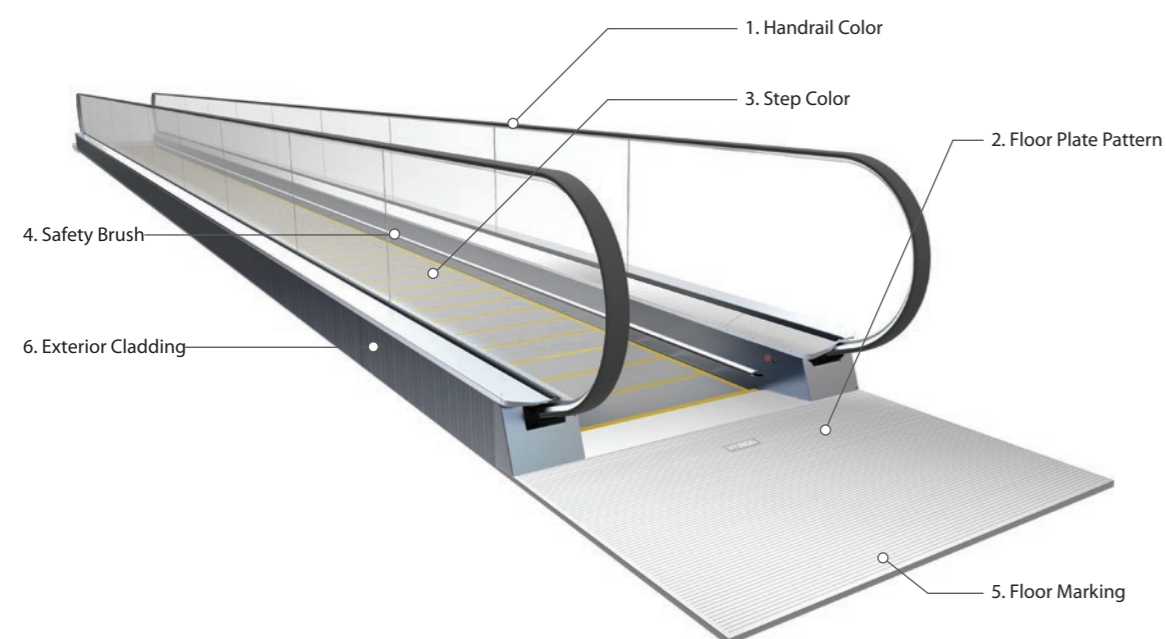
## STRUCTURE

Hyundai Elevator's durable and efficient escalators and moving walks enhance users' convenience while promoting maintenance efficiency.

### ESCALATOR



### MOVING WALK



Note: Applicable prices will vary per selected optional features/designs.

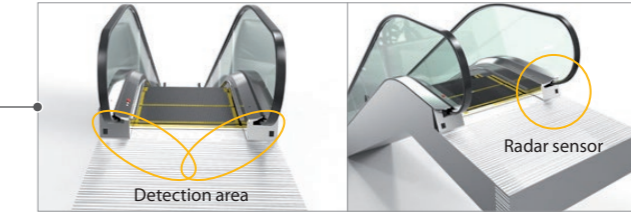
## SAFETY DEVICES

Quality and safety are Hyundai Elevator's top priorities. The company complies with strict safety standards and applies its rich know-how and cutting-edge technology to ensure customers' safety.

### Automatic Operation System (Optional)

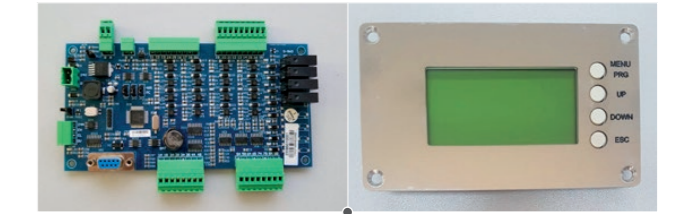
Radar sensor is able to run automatically in the direction from where the first passenger is approaching.

The radar sensor has a wide range of sensing regions and detects any movement of objects regardless of the color of the garment, so it is possible to perform accurate movements.



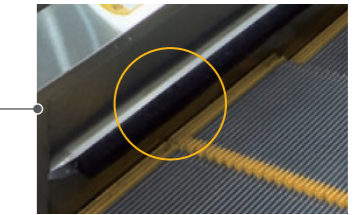
### Fault Detection Board (Optional)

- Transferring fault data and operational information to the monitoring system
- Compatible with all PLC / MICOM systems
- Display of fault and operating information on LCD panel
- Storing fault data and operational information for 1 year
- Can connect fault data and operational information to a computer



### Skirt Deflector (Optional\*)

Safety brushes promote passenger safety by gently guiding passengers away from skirt.



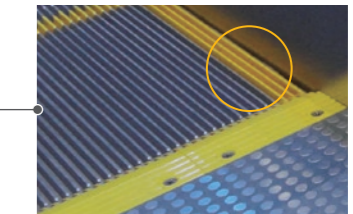
### Skirt Switch (Optional)

Stop the escalator/moving walk automatically, if a foreign object such as part of a shoe gets caught between a step/pallet and skirt.



### Yellow Demarcation Line

Located on each step, these lines provide additional visual safety by guiding passengers away from edges.



### Comb Plate Switch

Stop the escalator/moving walk, if a foreign object becomes wedged between the comb and steps/pallets.



### Emergency Stop Button

Located on both the upper and lower landings and mounted on newel skirt or newel deck. Pressing the red button will safely stop the escalator if it's needed.



### Broken Step/Pallet Chain Switch

Stop the escalator/moving walk automatically, if the step chain stretches or breaks.



### Broken Drive Chain Switch (Optional\*)

Stop the escalator/moving walk automatically, if the drive chain breaks.



### Broken Step/Pallet Switch

Stop the escalator/moving walk, if the step/pallet is broken or running incorrectly.



### Stopped Handrail Switch (Optional\*)

Stop the escalator/moving walk automatically, if the handrail stops, slides, or breaks.



### Handrail Guard Switch

Stop the escalator/moving walk automatically, if an object becomes wedged between the handrail and the handrail guard.

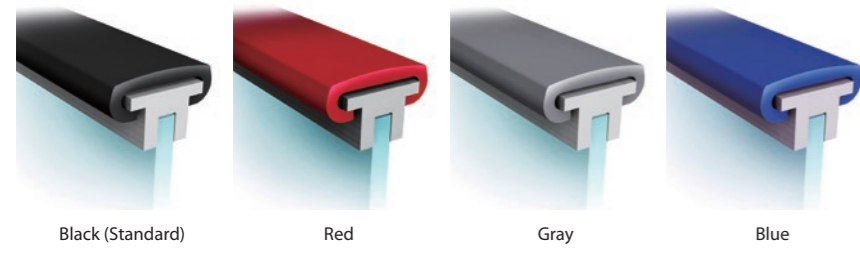


\* Optional: If EN115 code applied, the option safety devices are mandatory.

## OPTIONAL FEATURES

From design specifications to functional specifications, diverse options can be chosen according to the role and ambiance of a space, delivering great satisfaction.

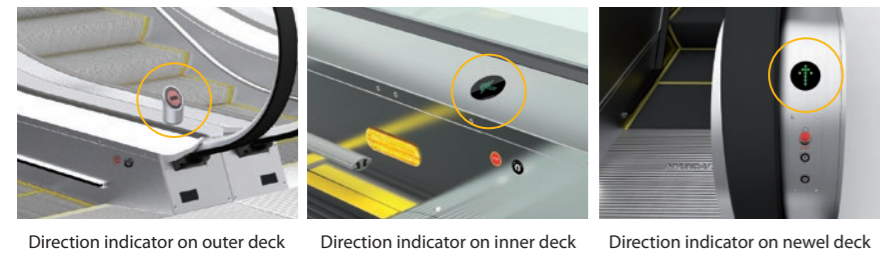
### HANDRAIL COLOR



### FLOOR PLATE PATTERN



### AUTO START-STOP FUNCTION (RADAR SENSOR), DIRECTION INDICATOR



Direction indicator on outer deck    Direction indicator on inner deck    Direction indicator on newel deck

### MULTI POST

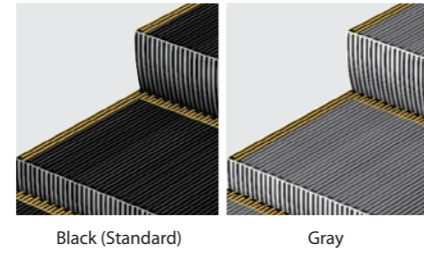


ASP - S01    ASP - A03    ASP - A02    ASP - A01

### FLOOR MARKING



### STEP COLOR



### SKIRT DEFLECTOR

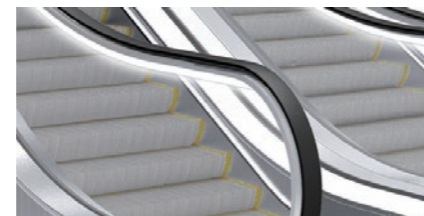


Promoting passenger safety by gently guiding passengers away from skirt.

### EXTERIOR CLADDING (BY OTHERS)

- Stainless Steel    - Painted Steel

### UNDER HANDRAIL LIGHTING

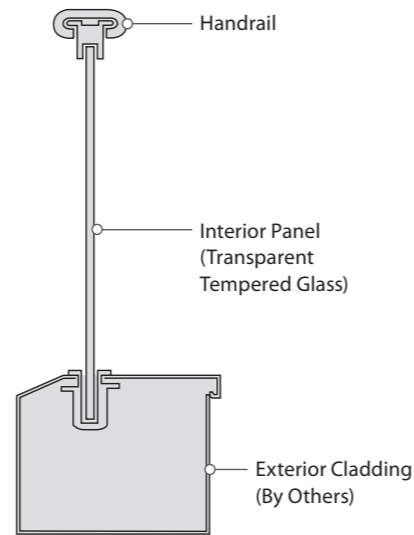


BT type can be applied

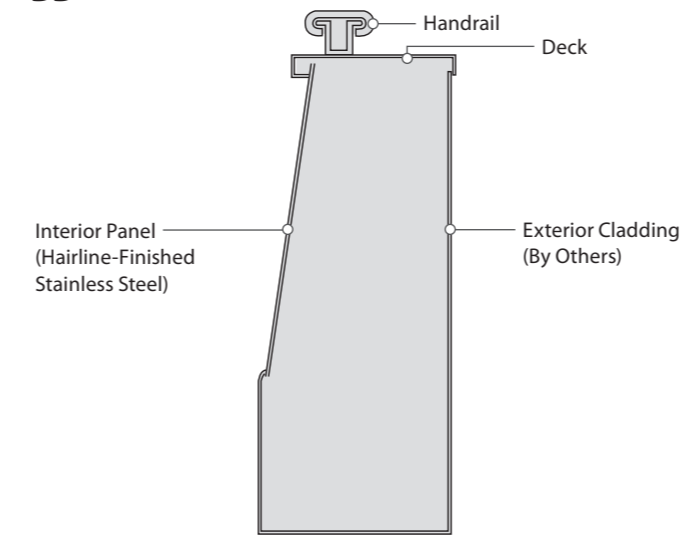
## BALUSTRADE DESIGNS

The type and design of balustrade can be chosen according to the usage conditions and interior design of a building.

### BT



### BB



### DESIGN TYPE

Type	BT	BB
Designs		
S Series	<input type="radio"/>	<input type="radio"/>
H Series	<input type="radio"/>	<input type="radio"/>
Moving Walk	<input type="radio"/>	<input type="radio"/>

### DESIGN SPECIFICATION

Name of Part	BT	BB
Balustrade	Interior Panel	Transparent Tempered Glass
	Deck	Hairline-Finished Stainless Steel
	Skirt Panel	Hairline-Finished Stainless Steel
	Handrail	Black (Optional: 9 page)
Step	Step	Aluminum Die Casting, Hairline-Finished Stainless Steel
	Demarcation	Yellow paint or Yellow molded safety inserts on 3 sides
Comb	Aluminum	
Floor Plate	Aluminum or Stainless steel plate with anti-slip grooves	
Exterior Cladding	By Others	

## SPECIFICATIONS

### ESCALATOR

Model	S Series (S-BT/S-BB)			H Series (HD-BT/HD-BB)	
	800	1000	1200	1000	1200
Vertical Rise H (mm)	30°: 1700~16000 / 35°: 2000~6000			16000~20000	
Inclination	30° / 35°			30°	
Power Supply	AC 3PH, 380V, 50/60Hz				
Lighting Power Supply	AC 1PH, 220V, 50/60Hz				
Rated Speed	0.5m/s / 0.65m/s				
Control System	MICOM or PLC / Optional: WWF Control				
Operation System	Key Switch Reversible Operation (Optional: Automatic Operation)				
Transport Capacity (persons/hr)	3600	4800	6000	4800	6000
Step Width (mm)	602	801	1001	808	1008
Skirt Panel Distance (mm)	608	807	1007	814	1014
Escalator Width (mm)	1150	1350	1550	1500	1700
Handrail Center Distance (mm)	837	1037	1237	1164	1364
Truss Width (mm)	1120	1320	1520	1450	1650

▲ Note: If vertical rise(H) is above 20000mm, consult Hyundai.

### MOVING WALK

Model	SM-BT	
	1000	1200
Vertical Rise H (mm)	9000(0°) / 9000(12°)	
Inclination	0° / 12°	
Power Supply	AC 3PH, 380V, 50/60HZ	
Lighting Power Supply	AC 1PH, 220V, 50/60HZ	
Rated Speed	0.5m/s	
Control System	MICOM or PLC / Optional: WWF Control	
Operation System	Key Switch Reversible Operation (Optional: Automatic Operation)	
Transport Capacity (persons/hr)	4800	6000
Skirt Distance (mm)	807	1007
Moving Walk Width (mm)	1350	1550
Handrail Center Distance (mm)	1037	1237
Truss Width (mm)	1320	1520

▲ Note: Please refer to the 'Planning Guide' for standard layout and dimensions of escalators and moving walks